

Descriptions

The T-6240B covers all features of T-6240, while the differences are the 8 channel inputs, 8 channel outputs and 2 EMC inputs all are in balanced XLR type.

Features

- * 8 balanced line/Mic inputs by XLR type
- * 8 balanced line outputs by XLR type
- * One Mic input with VOX priority
- * Two EMC priority inputs by XLR type
- * EMC1 has priority over all inputs(Except MIC 1)
- * 2U rack-mount chassis

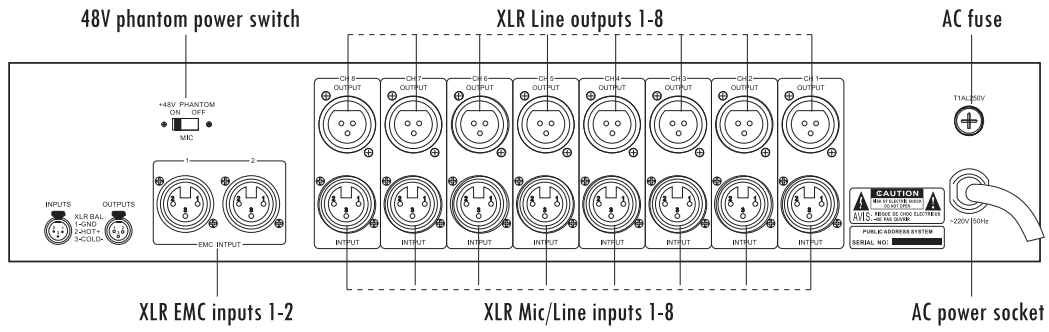
Optional

- * Panel with/without handhold

Specifications

Model	T-6240B
Input	MIC: 5mV/600Ω, balanced CH1~CH8: 350mV/15KΩ, balanced EMC(1~2): 350mV/15KΩ, balanced
Output	1V, 600Ω/balanced
Frequency Response	20Hz~20KHz(± 2dB)
S/N Ratio	85dB
THD	0.01%
Crosstalk	MIC: 80dB; LINE 85dB; MIC 1 priority
Muting Function	EMC1, 2 overrides other input signals(exception MIC 1) With 0-30dB attenuation
Controls	LINE, MIC controls, channel selectors, power switch
Indicators	Power LED, MIC channel LEDs
Protection	AC fuse: 1A
Power Supply	~110V/60Hz or ~230V/50Hz
Power Consumption	35W
Weight	4.7Kg
Dimensions	484×361×88mm
Finish	Panel: aluminum plate, black Case: steel plate, black

Rear Panel



Connections

