

**Features**

- Built-in 100v/70v transformer
- Excellent sound quality speaker for music & speech
- In-ceiling type loudspeaker
- 6" +1.5" coaxial paper speaker unit
- Power taps 1.25W, 2.5W, 5W & 10W @100V
- Metal grille & ABS baffle
- Paint in white color
- Flush mount easy & secure installation


**Description**

The T-206B is a ceiling speaker built-in 70v/100v transformer. The 70v/100v transformer technique reduces line losses on longer distance and allows easy parallel connection of multiple loudspeakers.

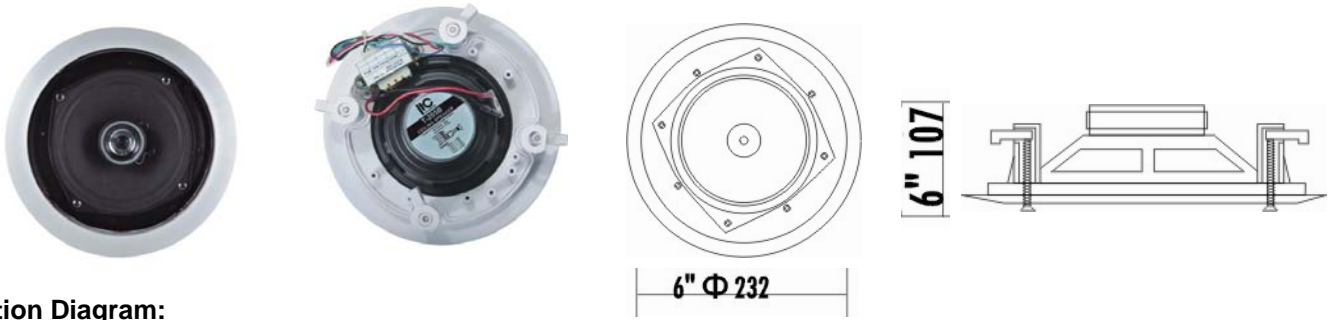
The built-in 6"+1.5" coaxial paper speaker driver is designed of wide frequency response 80-20kHz, the multiple power taps 1.25W, 2.5W, 5W & 10W are helpful for different applications varies from room size and ambient noise surroundings. The metal grille and ABS baffle are painted in attractive white color. Its flush mount type makes the easy and secure installation.

It is ideal choice for industrial and commercial applications in hotel, school, office and factory where background music and paging is needed.

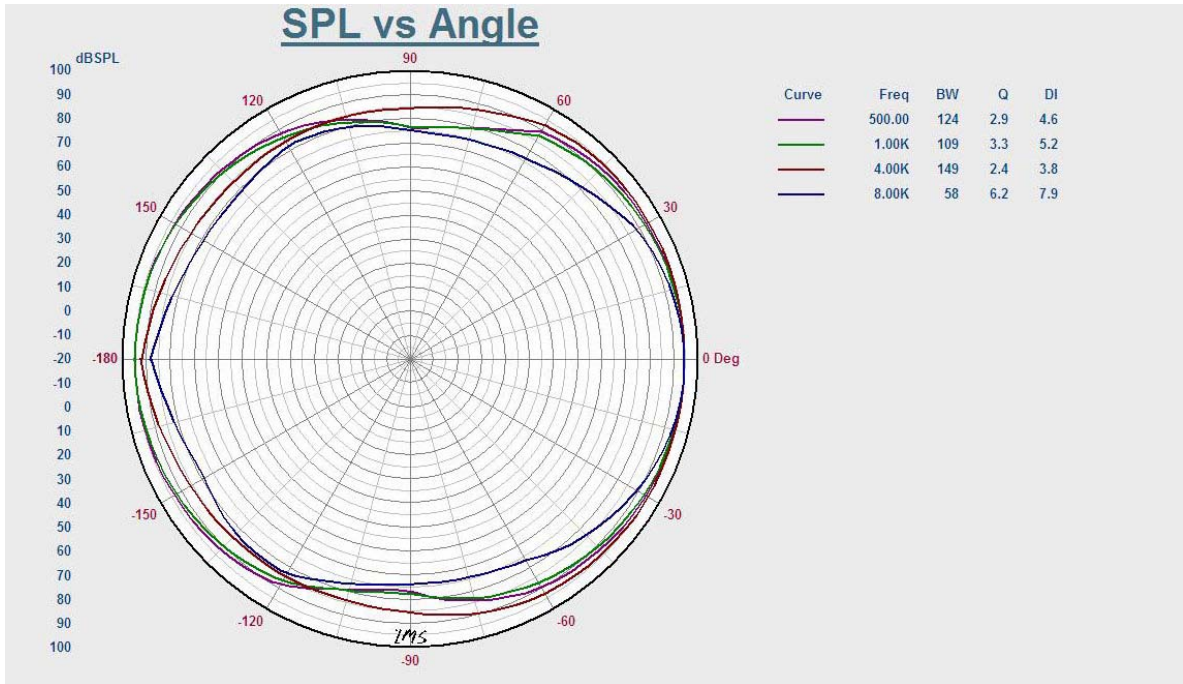
**Specification**

Model	T-206B
Power Taps @100V	1.25W, 2.5W, 5W, 10W
Power Taps @70V	0.62W, 1.25W, 2.5W, 5W
Impedance	Black: Com Blue:8KΩ Red:4KΩ Green:2KΩ White:1KΩ
SPL(1W/1M)	89dB
Max. SPL (Rated W/1M)	99dB
Frequency Response (-10dB)	80-20KHz
Finish	Baffle: ABS, White Grille: Steel, White
Speaker Driver	6" x 1 1.5" x 1
Cutout Size	208mm
Dimensions	232 x 107mm
Weight	1Kg
Mounting	Flush-mount dog ears

Appearance:



Direction Diagram:



Frequency Response:

